



www.Source1Parts.com

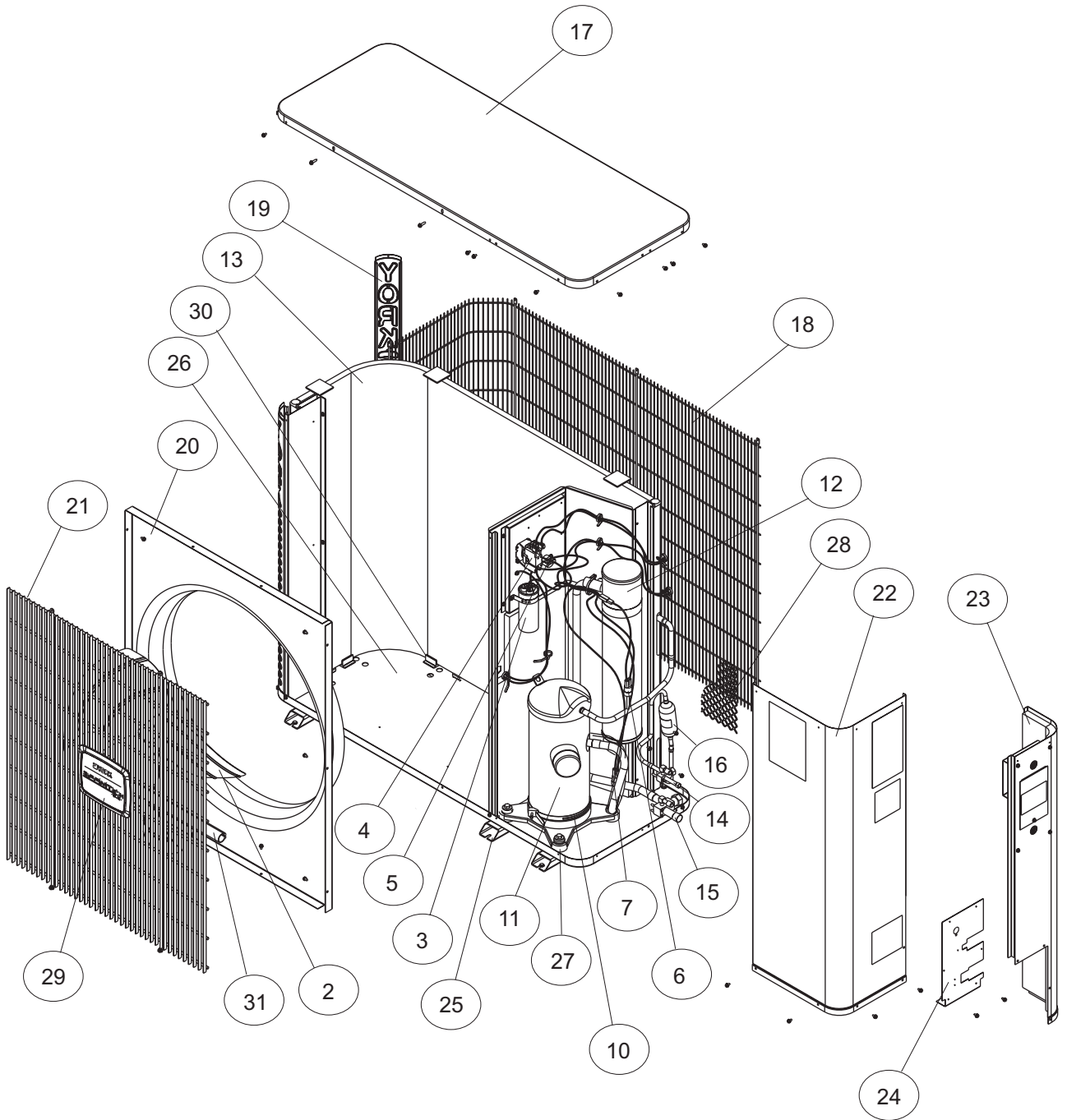
YCHD SERIES HORIZONTAL DISCHARGE 13 SEER AIR CONDITIONING UNITS, R410A (STYLE A)

HVAC SERVICE PARTS

Supersedes: 035-22092-001 Rev. C (1008)

035-22092-001 Rev. D (1208)

1 of 4



ITEM	DESCRIPTION	YCHD18S41S1A	YCHD24S41S1A	YCHD30S41S1A
MOTOR/AIR MOVING				
1*	MOTOR, FAN	S1-02435793000	S1-02435793000	S1-02435794000
2	BLADE, FAN	S1-02642599000	S1-02642599000	S1-02642600000
ELECTRICAL				
3	CAPACITOR, RUN (30/5MFD)	S1-02424778700	---	---
	CAPACITOR, RUN (35/5MFD)	---	S1-02423998700	---
	CAPACITOR, RUN (35/5MFD)	---	---	S1-02425893700
4	CONTACTOR (40A)	S1-02425837700	S1-02425837700	S1-02425837700
5	SWITCH, TEMPERATURE (Heater)	S1-02435820000	S1-02435820000	S1-02435820000
6	SWITCH, HIGH PRESSURE	S1-02535359000	S1-02535359000	S1-02535359000
7	SWITCH, LOW PRESSURE	S1-02535360000	S1-02535360000	S1-02535360000
8*	LUG, ELECTRICAL	S1-02521798000	S1-02521798000	S1-02521798000
9*	HARNESS, COMPRESSOR	S1-02541088000	S1-02541088000	S1-02541088000
10	HEATER, CRANKCASE	S1-02541367000	S1-02541367000	S1-02541367000
COMPRESSOR/REFRIGERANT SYSTEM				
11	COMPRESSOR	S1-01504140004	S1-01504141004	S1-01504142004
12	ACCUMULATOR	S1-02642618000	S1-02642618000	S1-02642591000
13	COIL, CONDENSER (Formed)	S1-37327873001	S1-37327873001	S1-37327873002
14	BASE VALVE, LIQUID (3/8")	S1-02211526000	S1-02211526000	S1-02211526000
15	BASE VALVE, SUCTION (3/4")	S1-02211527000	S1-02211527000	S1-02211527000
16	FILTER/DRIER	S1-02922195000	S1-02922195000	S1-02922195000
FABRICATED PARTS				
17	ASSY, TOP	S1-37327872001	S1-37327872001	S1-37327872002
18	COIL GUARD, FORMED	S1-07327874001	S1-07327874001	S1-07327874002
19	CORNERPOST (2 Req'd)	S1-07327877001	S1-07327877001	S1-07327877002
20	VENTURI	S1-07327878001	S1-07327878001	S1-07327878002
21	GUARD, FAN	S1-02642596000	S1-02642596000	S1-02642597000
22	PANEL ASSY, FRONT ACCESS	S1-37327875001	S1-37327875001	S1-37327875002
23	PANEL ASSY, BACK ACCESS	S1-37327875004	S1-37327875004	S1-37327875005
24	PANEL, SERVICE VALVE	S1-07327876001	S1-07327876001	S1-07327876001
25	MOUNTING, FOOT (3 Req'd)	S1-07327879001	S1-07327879001	S1-07327879002
26	PAN, BASE	S1-07327872003	S1-07327872003	S1-07327872004
MISCELLANEOUS				
27	ISOLATOR, COMPRESSOR (4 Req'd)	S1-02810581000	S1-02810581000	S1-02810581000
28	WIRE MESH, PLASTIC	S1-02642593000	S1-02642593000	S1-02642594000
29	ASSY, TOP CAP	S1-02815875000	S1-02815875000	S1-02815875000
30	MOUNT, COIL	S1-02815870000	S1-02815870000	S1-02815870000
31	WIREWAY	S1-02815871000	S1-02815871000	S1-02815872000
32*	PIN, PUSH (4 Req'd)	S1-02118381000	S1-02118381000	S1-02118381000
33*	KIT, MOTOR MOUNTING (4 Acorn Nuts)	S1-36390117700	S1-36390117700	S1-36390117700
34*	DIAGRAM, WIRING	400975	400975	400975
35*	GASKET, FOAM (Coil)	S1-02815879000	S1-02815879000	S1-02815879000

NOTE: *Not Shown
 New replacement parts shown in **bold** face type at the first printing of parts list dated 12/08.
 Major components and suggested stocking items are shown with shaded item number.
 "<" Across from row indicates a change in that row.
 --- Not applicable to specified model.

ITEM	DESCRIPTION	YCHD36S41S1A	YCHD48S41S1A	YCHD60S41S1A
MOTOR/AIR MOVING				
1*	MOTOR, FAN	S1-02435794000	S1-02435794000	S1-02435794000
2	BLADE, FAN	S1-02642600000	S1-02642600000	S1-02642600000
ELECTRICAL				
3	CAPACITOR, RUN (45/5 MFD)	S1-02425895700	---	---
	CAPACITOR, RUN (60/5 MFD)	---	S1-02425033700	---
	CAPACITOR, RUN (80/5 MFD)	---	---	S1-02426037000
4	CONTACTOR (40A)	S1-02425837700	S1-02425837700	S1-02425837700
5	SWITCH, TEMPERATURE (Heater)	S1-02435820000	S1-02435820000	S1-02435820000
6	SWITCH, HIGH PRESSURE	S1-02535359000	S1-02535359000	S1-02535359000
7	SWITCH, LOW PRESSURE	S1-02535360000	S1-02535360000	S1-02535360000
8*	LUG, ELECTRICAL	S1-02521798000	S1-02521798000	S1-02521798000
9*	HARNESS, COMPRESSOR	S1-02531885000	S1-02531885000	S1-02541088000
10	HEATER, CRANKCASE	S1-02541367000	S1-02541367000	S1-02541367000
COMPRESSOR/REFRIGERANT SYSTEM				
11	COMPRESSOR	S1-01504143004	S1-01503960004	S1-01503949004
12	ACCUMULATOR	S1-02642591000	S1-02642592000	S1-02642592000
13	COIL, CONDENSER (Formed)	S1-37327873002	S1-37327873003	S1-37327873003
14	BASE VALVE, LIQUID (3/8")	S1-02211526000	S1-02211526000	S1-02211526000
15	BASE VALVE, SUCTION (3/4")	S1-02211527000	---	---
	BASE VALVE, SUCTION (7/8")	---	S1-02211528000	S1-02211528000
16	FILTER/DRIER	S1-02922195000	S1-02922195000	S1-02922195000
FABRICATED PARTS				
17	ASSY, TOP	S1-37327872002	S1-37327872002	S1-37327872002
18	COIL GUARD, FORMED	S1-07327874002	S1-07327874003	S1-07327874003
19	CORNERPOST (3 Req'd)	S1-07327877002	S1-07327877003	S1-07327877003
20	VENTURI	S1-07327878002	S1-07327878003	S1-07327878003
21	GUARD, FAN	S1-02642597000	S1-02642598000	S1-02642598000
22	PANEL ASSY, FRONT ACCESS	S1-37327875002	S1-37327875003	S1-37327875003
23	PANEL ASSY, BACK ACCESS	S1-37327875005	S1-37327875006	S1-37327875006
24	PANEL, SERVICE VALVE	S1-07327876001	S1-07327876001	S1-07327876001
25	MOUNTING, FOOT (3 Req'd)	S1-07327879002	S1-07327879002	S1-07327879002
26	PAN, BASE	S1-07327872004	S1-07327872004	S1-07327872004
MISCELLANEOUS				
27	ISOLATOR, COMPRESSOR (4 Req'd)	S1-02810581000	S1-02810581000	S1-02810581000
28	WIRE MESH, PLASTIC	S1-02642594000	S1-02642595000	S1-02642595000
29	ASSY, TOP CAP	S1-02815875000	S1-02815875000	S1-02815875000
30	MOUNT, COIL	S1-02815870000	S1-02815870000	S1-02815870000
31	WIREWAY	S1-02815872000	S1-02815872000	S1-02815872000
32*	PIN, PUSH (4 Req'd)	S1-02118381000	S1-02118381000	S1-02118381000
33*	KIT, MOTOR MOUNTING (4 Acorn Nuts)	S1-36390117700	S1-36390117700	S1-36390117700
34*	DIAGRAM, WIRING	400975	400975	400975
35*	GASKET, FOAM (Coil)	S1-02815879000	S1-02815879000	S1-02815879000

NOTE: *Not Shown

New replacement parts shown in **bold** face type at the first printing of parts list dated 12/08.

Major components and suggested stocking items are shown with shaded item number.

"←" Across from row indicates a change in that row.

--- Not applicable to specified model.

TO ORDER AUTHORIZED FACTORY REPLACEMENT PARTS - Contact your Source1 HVAC Parts Distributor or visit our website at **www.Source1Parts.com** for a Distributor and Dealer listing.

Subject to change without notice. Printed in U.S.A.
Copyright © 2008 by Johnson Controls, Inc. All rights reserved.

035-22092-001 Rev. D (1208)
Supersedes: 035-22092-001 Rev. C (1008)

Johnson Controls Unitary Products
5005 York Drive
Norman, OK 73069